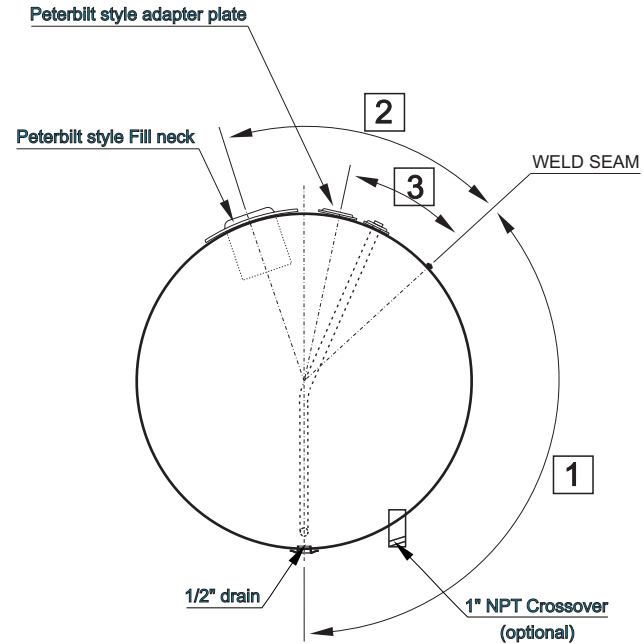
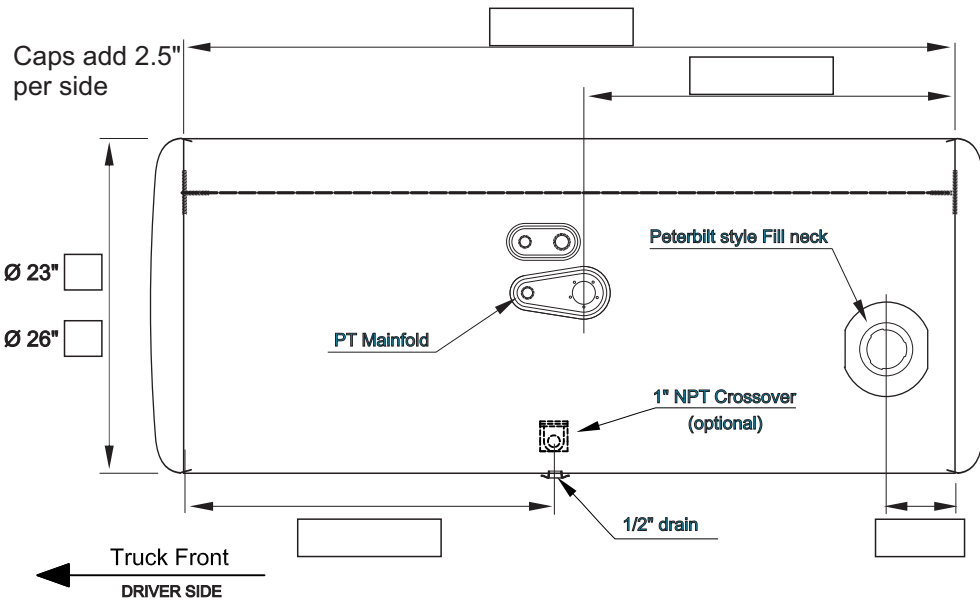


PETERBIT TANK DRIVER SIDE REAR FILL



Distance from weld seam:

- 1. To drain flange
- 2. To Pt fill neck
- 3. To Pt mainfold

Common lengths and capacities

| Ø23" Diameter | Ø26" Diameter |
|----------------|----------------|
| L" - Cap (Gal) | L" - Cap (Gal) |
| 55" - 100gl | 33" - 80gl |
| 57" - 110gl | 43" - 100gl |
| 72" - 135gl | 48" - 110gl |
| 82" - 150gl | 52" - 125gl |
| | 60" - 135gl |
| | 67" - 150gl |

GENERAL NOTES

TOTAL 100% ___ GAL. ___ LTS.
 USABLE 95% ___ GAL. ___ LTS.

Customer Name: _____ Chassis Style & year: _____
 Company: _____ OEM part: _____
 Phone: _____ Additional Part: _____
 Email: _____

Approval signature: _____ Date: _____

Available Finishes:

- Mill finish (natural aluminum)
- Polished
- Clear coat over mill finish
- Clear coat over polished

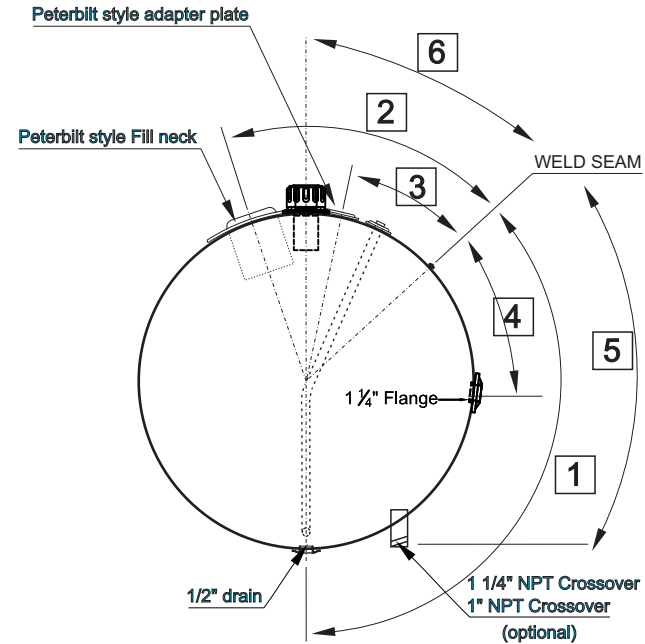
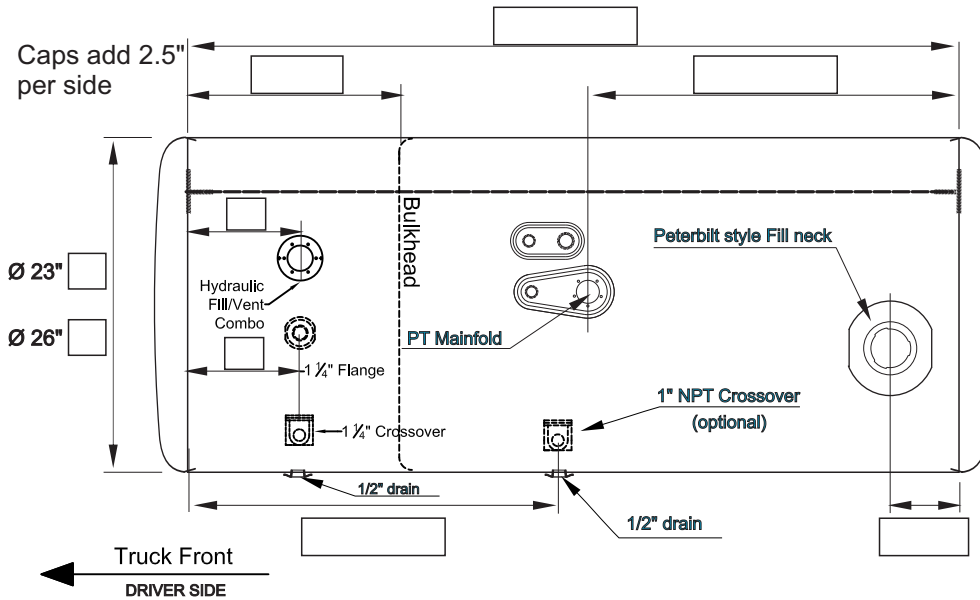
Choose one mainfold:

PT MAINFOLD (2006 & OLDER) With drop-in tubes Before 2010

With 1" NPT crossover (optional)

PT MAINFOLD (2007 & NEWER) Weld-in tubes After 2010

PETERBIT TANK DRIVER SIDE REAR FILL (SPLIT)



Distance from weld seam:

- 1. To drain flange
- 2. To Pt fill neck
- 3. To Pt mainfold
- 4. 1 1/4" flange (Split)
- 5. To crossover (Split)
- 6. To Hidraulic fill (Split)

Common lengths and capacities

| Ø23" Diameter | Ø26" Diameter |
|----------------|----------------|
| L" - Cap (Gal) | L" - Cap (Gal) |
| 55" - 100gl | 33" - 80gl |
| 57" - 110gl | 43" - 100gl |
| 72" - 135gl | 48" - 110gl |
| 82" - 150gl | 52" - 125gl |
| | 60" - 135gl |
| | 67" - 150gl |

GENERAL NOTES

TOTAL 100% ___ GAL. ___ LTS.
 USABLE 95% ___ GAL. ___ LTS.

Customer Name: _____ Chassis Style & year: _____
 Company: _____ OEM part: _____
 Phone: _____ Additional Part: _____
 Email: _____

Approval signature: _____ Date: _____

Available Finishes:

- Mill finish (natural aluminum)
- Polished
- Clear coat over mill finish
- Clear coat over polished

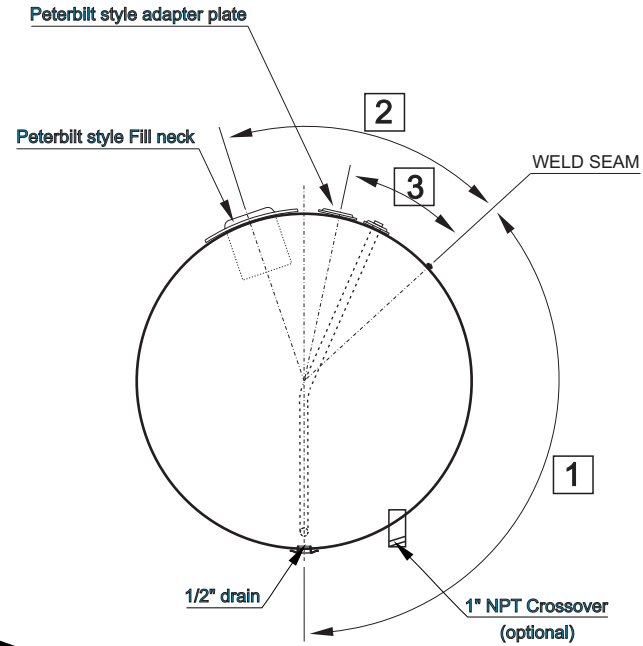
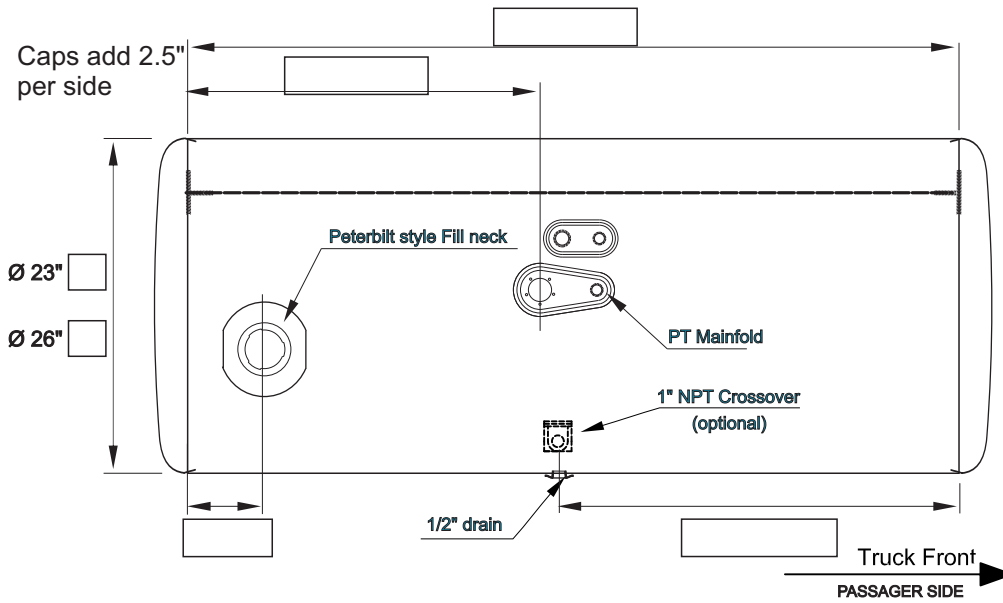
Choose one manifold:

PT MAINFOLD (2006 & OLDER) With drop-in tubes Before 2010

With 1" NPT crossover (optional)

PT MAINFOLD (2007 & NEWER) Weld-in tubes After 2010

PETERBIT TANK PASSANGER SIDE REAR FILL



Distance from weld seam:

- 1. To drain flange
- 2. To Pt fill neck
- 3. To Pt mainfold

Common lenghts and capacities

| Ø23" Diameter | Ø26" Diameter |
|----------------|----------------|
| L" - Cap (Gal) | L" - Cap (Gal) |
| 55" - 100gl | 33" - 80gl |
| 57" - 110gl | 43" - 100gl |
| 72" - 135gl | 48" - 110gl |
| 82" - 150gl | 52" - 125gl |
| | 60" - 135gl |
| | 67" - 150gl |

GENERAL NOTES

TOTAL 100% ___ GAL. ___ LTS.
 USABLE 95% ___ GAL. ___ LTS.

Customer Name: _____ Chassis Style & year: _____
 Company: _____ OEM part: _____
 Phone: _____ Additional Part: _____
 Email: _____

Approval signature: _____ Date: _____

Available Finishes:

- Mill finish (natural aluminum)
- Polished
- Clear coat over mill finish
- Clear coat over polished

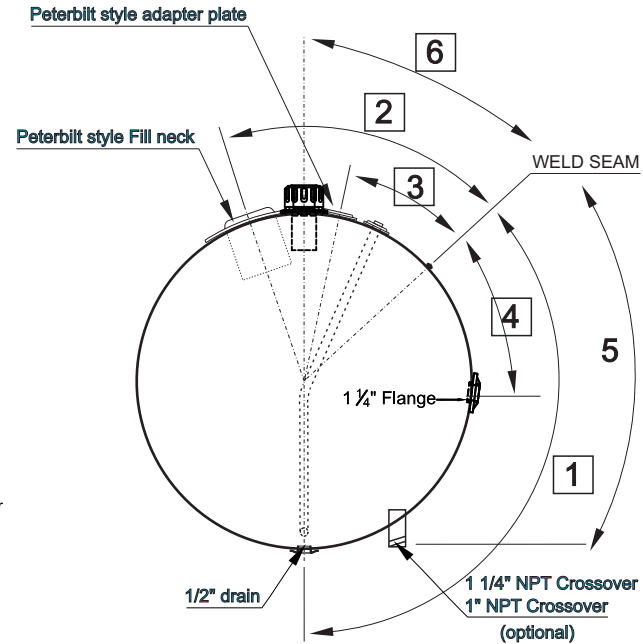
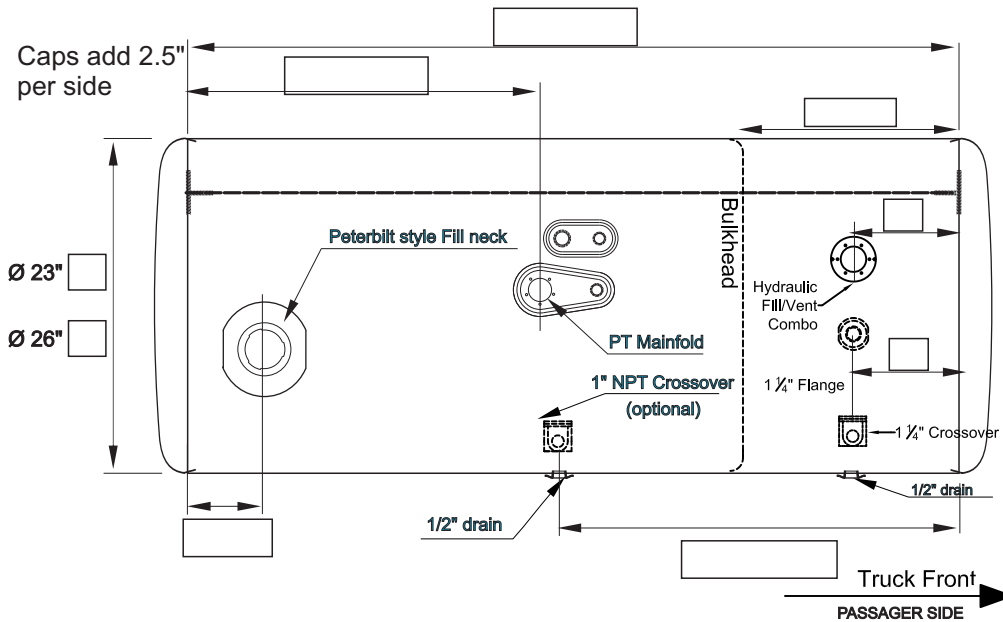
Choose one mainfold:

PT MAINFOLD (2006 & OLDER)
 With drop-in tubes
 Before 2010

With 1" NPT crossover (optional)

PT MAINFOLD (2007 & NEWER)
 Weld-in tubes
 After 2010

PETERBILT TANK PASSAGER SIDE REAR FILL (SPLIT)



Distance from weld seam:

- 1. To drain flange
- 2. To Pt fill neck
- 3. To Pt mainfold
- 4. 1 1/4" flange (Split)
- 5. To crossover (Split)
- 6. To Hidraulic fill (Split)

Common lenghts and capacities

| Ø23" Diameter | Ø26" Diameter |
|----------------|----------------|
| L" - Cap (Gal) | L" - Cap (Gal) |
| 55" - 100gl | 33" - 80gl |
| 57" - 110gl | 43" - 100gl |
| 72" - 135gl | 48" - 110gl |
| 82" - 150gl | 52" - 125gl |
| | 60" - 135gl |
| | 67" - 150gl |

GENERAL NOTES

TOTAL 100% ___ GAL. ___ LTS.
 USABLE 95% ___ GAL. ___ LTS.

Customer Name: _____ Chassis Style & year: _____
 Company: _____ OEM part: _____
 Phone: _____ Additional Part: _____
 Email: _____

Approval signature: _____ Date: _____

Available Finishes:

- Mill finish (natural aluminum)
- Polished
- Clear coat over mill finish
- Clear coat over polished

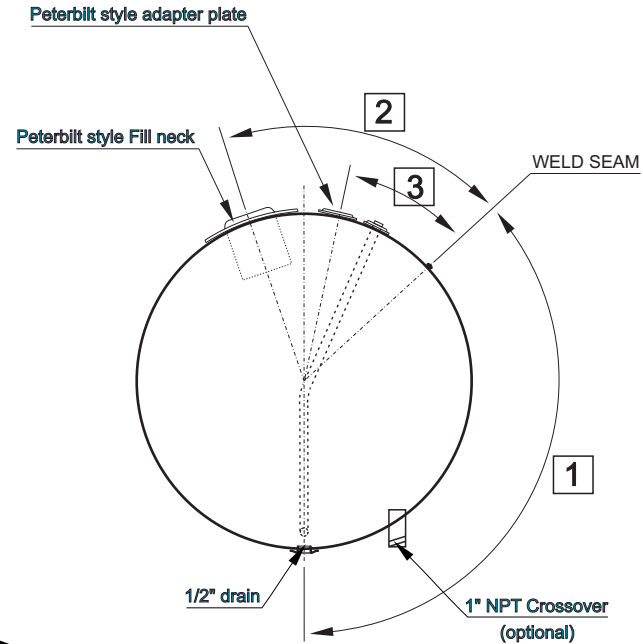
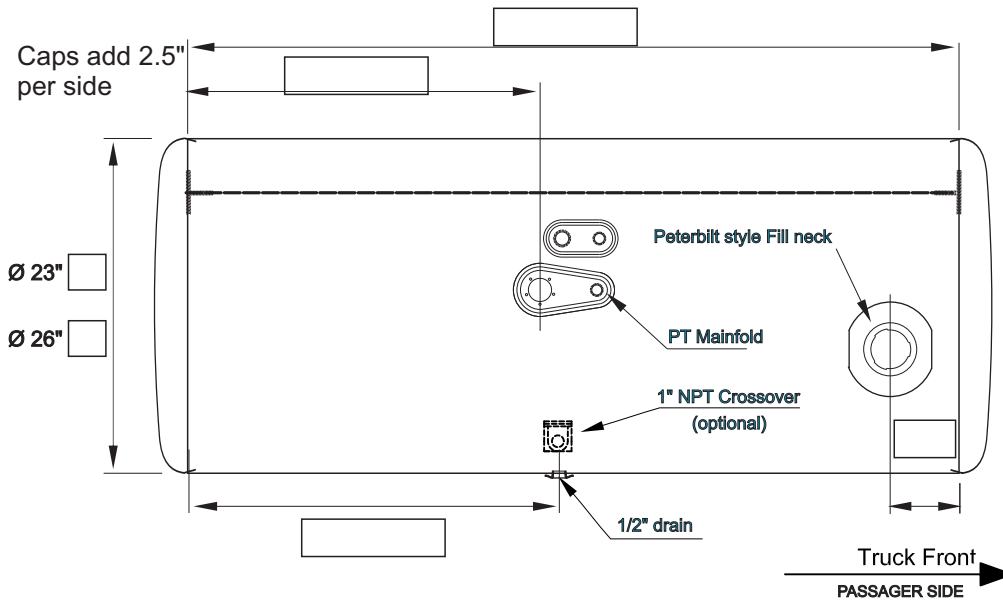
Choose one mainfold:

PT MAINFOLD (2006 & OLDER) With drop-in tubes Before 2010

With 1" NPT crossover (optional)

PT MAINFOLD (2007 & NEWER) Weld-in tubes After 2010

PETERBITL TANK PASSAGER SIDE FRONT FILL



Distance from weld seam:

- 1. To drain flange
- 2. To Pt fill neck
- 3. To Pt mainfold

Common lenghts and capacities

| Ø23" Diameter | Ø26" Diameter |
|----------------|----------------|
| L" - Cap (Gal) | L" - Cap (Gal) |
| 55" - 100gl | 33" - 80gl |
| 57" - 110gl | 43" - 100gl |
| 72" - 135gl | 48" - 110gl |
| 82" - 150gl | 52" - 125gl |
| | 60" - 135gl |
| | 67" - 150gl |

GENERAL NOTES

TOTAL 100% ___ GAL. ___ LTS.
 USABLE 95% ___ GAL. ___ LTS.

Customer Name: _____ Chassis Style & year: _____
 Company: _____ OEM part: _____
 Phone: _____ Additional Part: _____
 Email: _____

Approval signature: _____ Date: _____

Available Finishes:

- Mill finish (natural aluminum)
- Polished
- Clear coat over mill finish
- Clear coat over polished

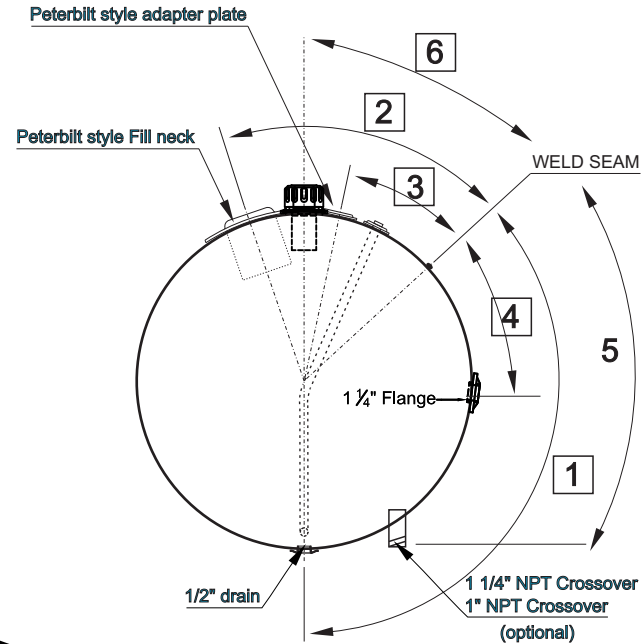
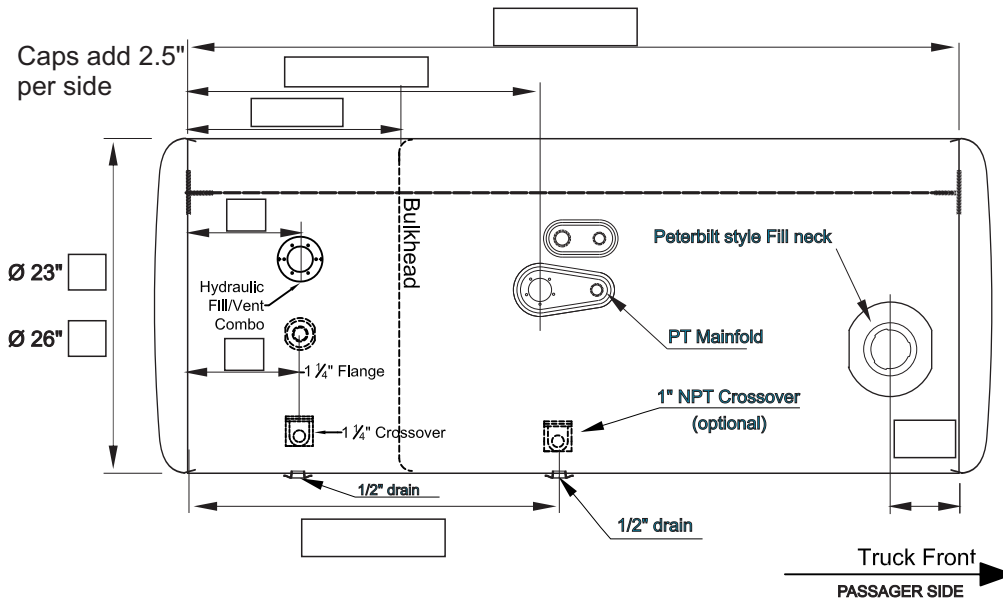
Choose one mainfold:

PT MAINFOLD (2006 & OLDER) With drop-in tubes Before 2010

With 1" NPT crossover (optional)

PT MAINFOLD (2007 & NEWER) Weld-in tubes After 2010

PETERBIT TANK PASSANGER SIDE FRONT FILL (SPLIT)



Distance from weld seam:

- 1. To drain flange
- 2. To Pt fill neck
- 3. To Pt mainfold
- 4. 1 1/4" flange (Split)
- 5. To crossover (Split)
- 6. To Hidraulic fill (Split)

Common lenghts and capacities

| Ø23" Diameter | Ø26" Diameter |
|----------------|----------------|
| L" - Cap (Gal) | L" - Cap (Gal) |
| 55" - 100gl | 33" - 80gl |
| 57" - 110gl | 43" - 100gl |
| 72" - 135gl | 48" - 110gl |
| 82" - 150gl | 52" - 125gl |
| | 60" - 135gl |
| | 67" - 150gl |

GENERAL NOTES

TOTAL 100% ___ GAL. ___ LTS.
 USABLE 95% ___ GAL. ___ LTS.

Customer Name: _____ Chassis Style & year: _____
 Company: _____ OEM part: _____
 Phone: _____ Additional Part: _____
 Email: _____

Approval signature: _____ Date: _____

Available Finishes:

- Mill finish (natural aluminum)
- Polished
- Clear coat over mill finish
- Clear coat over polished

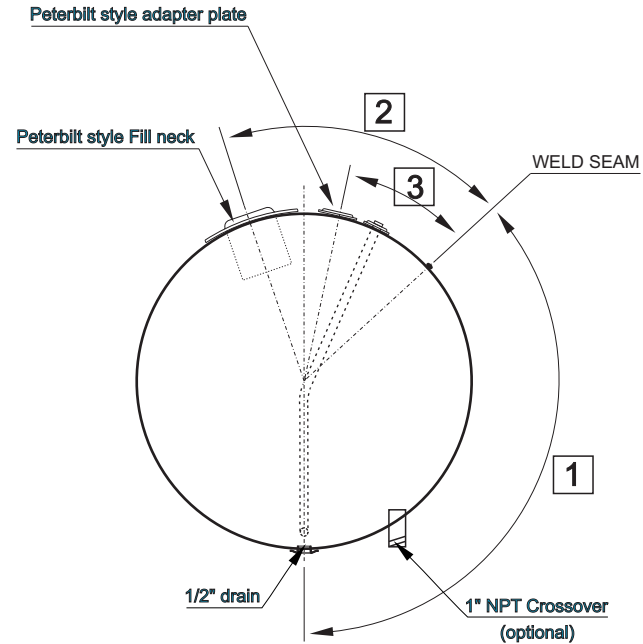
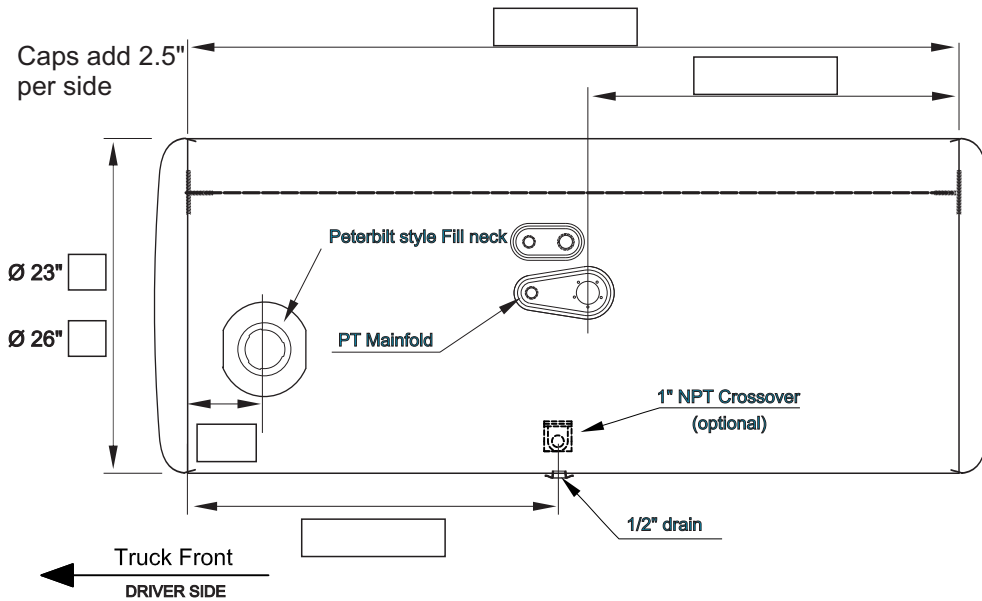
Choose one mainfold:

PT MAINFOLD (2006 & OLDER) With drop-in tubes Before 2010

With 1" NPT crossover (optional)

PT MAINFOLD (2007 & NEWER) Weld-in tubes After 2010

PETERBILT TANK DRIVER SIDE FRONT FILL



Distance from weld seam:

- 1. To drain flange
- 2. To Pt fill neck
- 3. To Pt mainfold

Common lengths and capacities

| Ø23" Diameter | Ø26" Diameter |
|----------------|----------------|
| L" - Cap (Gal) | L" - Cap (Gal) |
| 55" - 100gl | 33" - 80gl |
| 57" - 110gl | 43" - 100gl |
| 72" - 135gl | 48" - 110gl |
| 82" - 150gl | 52" - 125gl |
| | 60" - 135gl |
| | 67" - 150gl |

GENERAL NOTES

TOTAL 100% ___ GAL. ___ LTS.
 USABLE 95% ___ GAL. ___ LTS.

Customer Name: _____ Chassis Style & year: _____
 Company: _____ OEM part: _____
 Phone: _____ Additional Part: _____
 Email: _____

Approval signature: _____ Date: _____

Available Finishes:

- Mill finish (natural aluminum)
- Polished
- Clear coat over mill finish
- Clear coat over polished

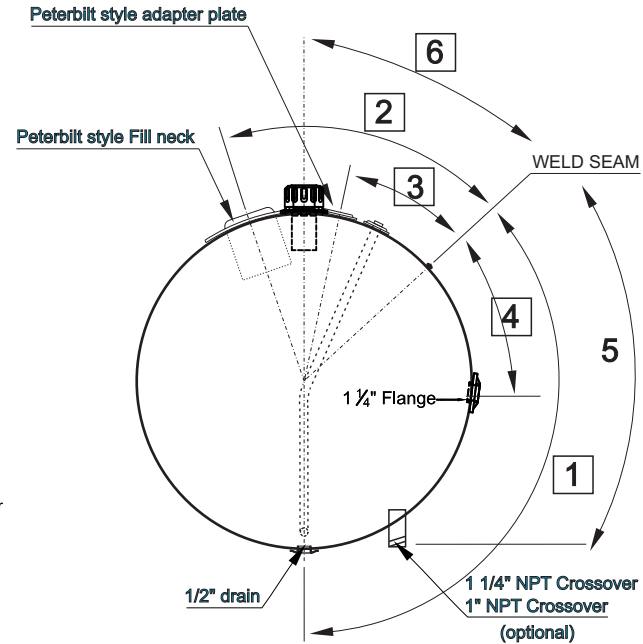
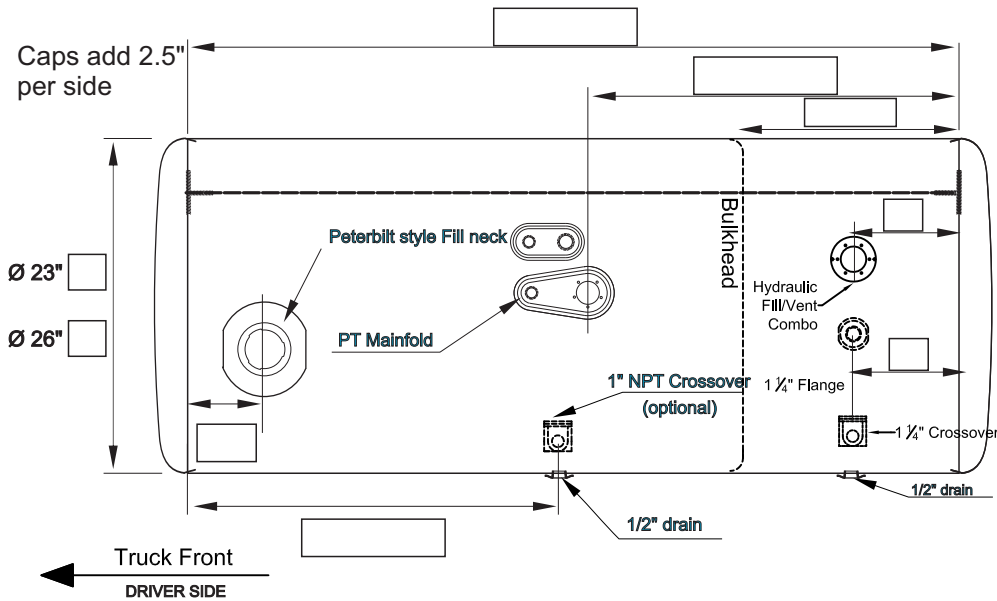
Choose one mainfold:

PT MAINFOLD (2006 & OLDER) With drop-in tubes Before 2010

With 1" NPT crossover (optional)

PT MAINFOLD (2007 & NEWER) Weld-in tubes After 2010

PETERBILT TANK DRIVER SIDE FRONT FILL (SPLIT)



Distance from weld seam:

- 1. To drain flange
- 2. To Pt fill neck
- 3. To Pt mainfold
- 4. 1 1/4" flange (Split)
- 5. To crossover (Split)
- 6. To Hidraulic fill (Split)

Common lengths and capacities

| Ø23" Diameter | Ø26" Diameter |
|----------------|----------------|
| L" - Cap (Gal) | L" - Cap (Gal) |
| 55" - 100gl | 33" - 80gl |
| 57" - 110gl | 43" - 100gl |
| 72" - 135gl | 48" - 110gl |
| 82" - 150gl | 52" - 125gl |
| | 60" - 135gl |
| | 67" - 150gl |

GENERAL NOTES

TOTAL 100% ___ GAL. ___ LTS.
 USABLE 95% ___ GAL. ___ LTS.

Customer Name: _____ Chassis Style & year: _____
 Company: _____ OEM part: _____
 Phone: _____ Additional Part: _____
 Email: _____

Approval signature: _____ Date: _____

Available Finishes:

- Mill finish (natural aluminum)
- Polished
- Clear coat over mill finish
- Clear coat over polished

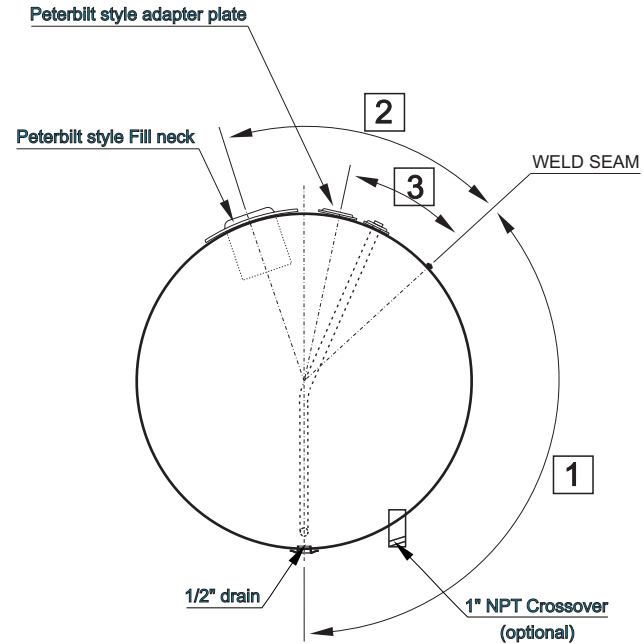
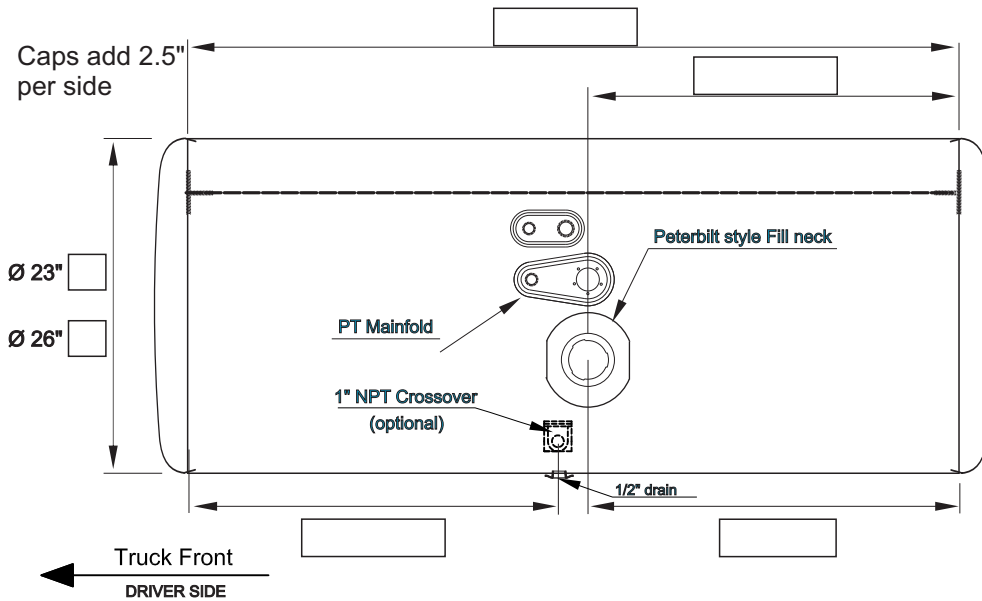
Choose one manifold:

PT MAINFOLD (2006 & OLDER) With drop-in tubes Before 2010

With 1" NPT crossover (optional)

PT MAINFOLD (2007 & NEWER) Weld-in tubes After 2010

PETERBIT TANK DRIVER SIDE CENTER FILL



Distance from weld seam:

- 1. To drain flange
- 2. To Pt fill neck
- 3. To Pt mainfold

Common lengths and capacities

| Ø23" Diameter | Ø26" Diameter |
|----------------|----------------|
| L" - Cap (Gal) | L" - Cap (Gal) |
| 55" - 100gl | 33" - 80gl |
| 57" - 110gl | 43" - 100gl |
| 72" - 135gl | 48" - 110gl |
| 82" - 150gl | 52" - 125gl |
| | 60" - 135gl |
| | 67" - 150gl |

GENERAL NOTES

TOTAL 100% ___ GAL. ___ LTS.
 USABLE 95% ___ GAL. ___ LTS.

Customer Name: _____ Chassis Style & year: _____
 Company: _____ OEM part: _____
 Phone: _____ Additional Part: _____
 Email: _____

Approval signature: _____ Date: _____

Available Finishes:

- Mill finish (natural aluminum)
- Polished
- Clear coat over mill finish
- Clear coat over polished

Choose one mainfold:

PT MAINFOLD (2006 & OLDER) With drop-in tubes Before 2010



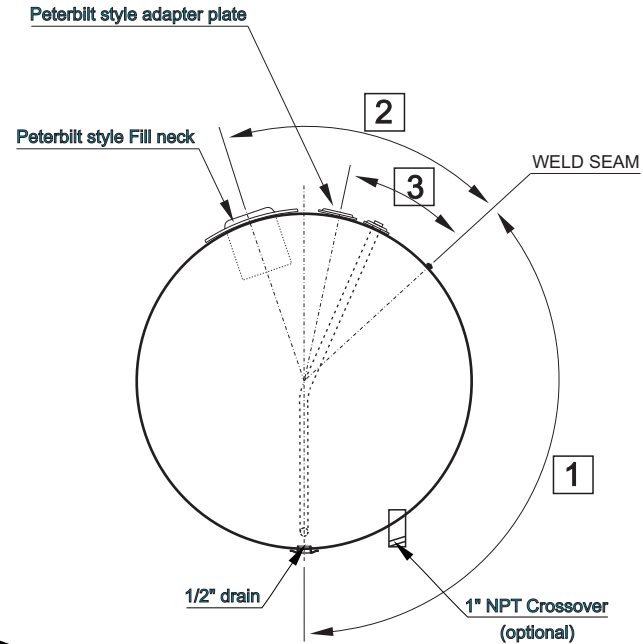
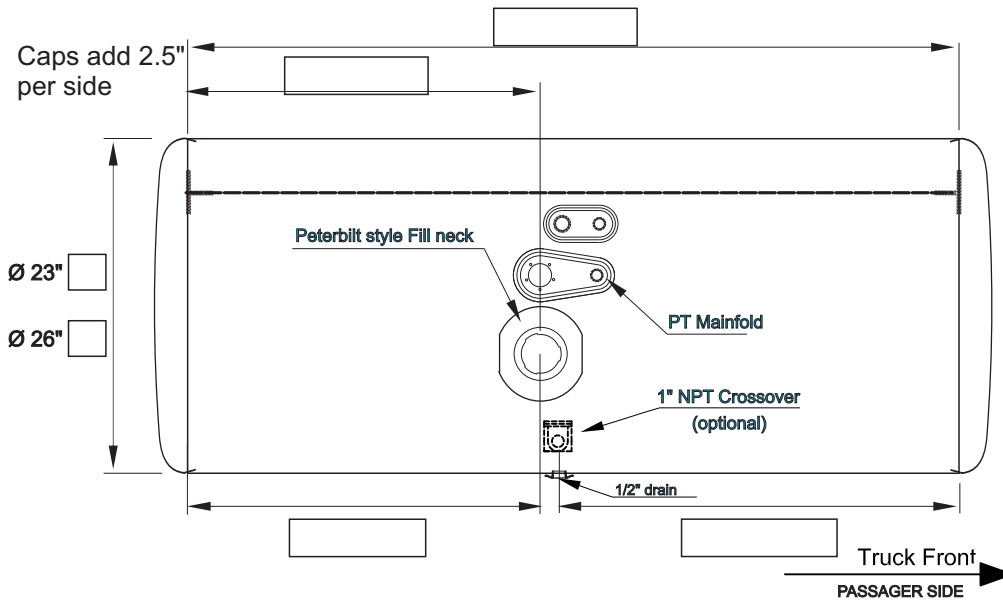
With 1" NPT crossover (optional)



PT MAINFOLD (2007 & NEWER) Weld-in tubes After 2010



PETERBILT TANK PASSANGER SIDE CENTER FILL



Distance from weld seam:

- 1. To drain flange
- 2. To Pt fill neck
- 3. To Pt mainfold

Common lenghts and capacities

| Ø23" Diameter | Ø26" Diameter |
|----------------|----------------|
| L" - Cap (Gal) | L" - Cap (Gal) |
| 55" - 100gl | 33" - 80gl |
| 57" - 110gl | 43" - 100gl |
| 72" - 135gl | 48" - 110gl |
| 82" - 150gl | 52" - 125gl |
| | 60" - 135gl |
| | 67" - 150gl |

GENERAL NOTES

TOTAL 100% ___ GAL. ___ LTS.
 USABLE 95% ___ GAL. ___ LTS.

Customer Name: _____ Chassis Style & year: _____
 Company: _____ OEM part: _____
 Phone: _____ Additional Part: _____
 Email: _____

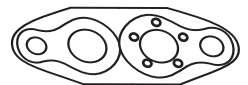
Approval signature: _____ Date: _____

Available Finishes:

- Mill finish (natural aluminum)
- Polished
- Clear coat over mill finish
- Clear coat over polished

Choose one mainfold:

PT MAINFOLD (2006 & OLDER) With drop-in tubes Before 2010



With 1" NPT crossover (optional)



PT MAINFOLD (2007 & NEWER) Weld-in tubes After 2010

